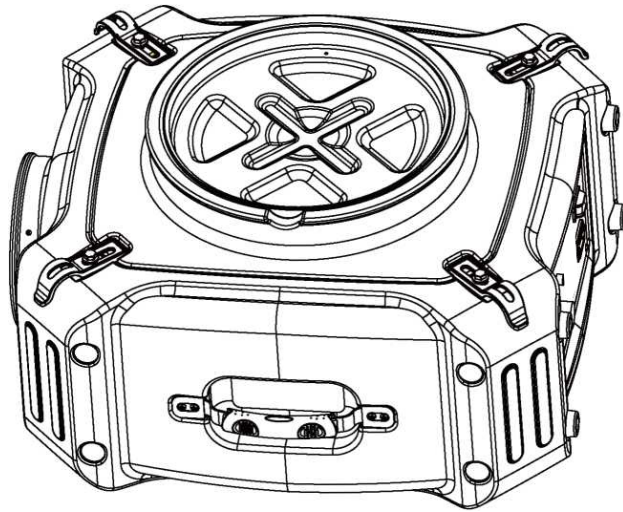




## **Razorback MaxxGuard 550UV Installation and Operations Manual**



**READ AND SAVE THESE INSTRUCTIONS**  
**Razorback Cleaning & Restoration Equipment**

194D Zillmere Road, Boondall, QLD 4034

Tel:1800 68 68 69

E-mail:sales@ccwarehouse.com.au



- **The appliance is not to be used by persons (including children) with reduced physical, sensory or mental capabilities, or lack of experience and knowledge, unless they have been given supervision or instruction.**
- **Children being supervised not to play with the appliance. Cleaning and user maintenance shall not be made by children without supervision.**
- **Ensure that the fan is switched off from the supply mains before removing the guard.**
- **If the supply cord is damaged, it must be replaced by the manufacturer, its service agent or similarly qualified persons in order to avoid a hazard**

# INTRODUCTION

The Razorback MaxxGuard 550UV is a convenient filtration system that cleans the air. The Razorback MaxxGuard 550UV uses an effective blend of air flow and advanced filtration to expel airborne particles like mold spores, dust, pollen, and pet dander. The Razorback MaxxGuard 550UV is ideal for restoration jobs, including water, sewage, and fire.

## IDENTIFICATION

Congratulations on purchasing a Razorback MaxxGuard 550UV air scrubber. In order to take advantage of the warranty plan, be sure to note the serial number and date of purchase.

**Serial Number:** \_\_\_\_\_

**Date of Purchase:** \_\_\_\_\_

## HOW IT WORKS

When set to maximum airflow, the scrubber draws air through two types of filters- a pre-filter and a HEPA/Activated Carbon Filter.

### 1. Pre-Filter

The first phase of filtration, the prefilter, Captures initial dust and allergen particles.

### 2. Activated Carbon Filter

The second phase of filtration, the Activated Carbon Filter, catches smaller particles, down to 0.3 microns. Contributes to the control and prevention of the growth of bacteria, germs, and mold. Captures 99.99% of dust and allergens.

### 3. UV-C Light

UV-C light technology works with filters to enhance the elimination of airborne germs Titanium Dioxide is activated by the UV-C light to decompose remaining odor molecules caused by smoking, cooking, and pets.

## SPECIAL FEATURES

**Daisy-Chain Capability** (Note: It is not available for 110/120V)

Using the auxiliary outlet on the control panel, you can link up to 3 units together. You can also daisy-chain the machines when they are stacked vertically (limit of 2 units).

### Multi-Positional

The Razorback MaxxGuard 550UV can be operated in the vertical position, as well as, when stacked vertically (up to 2 units). When storing, the machines can be stacked horizontally to save space.

**Removable Intake Panel**

The Razorback MaxxGuard 550UV is equipped with a removable panel on the intake side of the machine. The removable panel is quite useful in remediation applications, so you can draw air out the room and create more negative pressure (use a manometer to monitor air pressure). To use panel:

- 1. Remove the panel.
- 2. Install the machine outside the containment area to draw air out.
- 3. Cut a hole in the containment plastic that is the size of the unit's inlet.
- 4. Insert the inlet into plastic and seal the circumference tightly with duct tape.

**KEY FEATURES**



# NR SCRUBBER

## INSTRUCTIONS

### SETUP

1. Place the Razorback MaxxGuard 550UV so that it is in the upright, vertical position.
2. Plug the machine into a standard 220 volt outlet. *Note: Each unit needs 0.9 amps to operate.*
3. The Razorback MaxxGuard 550UV can be operated in the vertical or horizontal position, depending on the exact situation. At this point, adjust the machine to the optimal position.

### THE CONTROL PANEL

#### Variable Speed Control

The Variable Speed Control is used to adjust the power of the machine. Turn the knob in a clockwise direction, to increase the speed from maximum to minimum. The minimum speed setting is located immediately under the OFF button.

#### Auxiliary Outlet (Note: It is not available for 110/120V)

If more air filtration is necessary for a space, you can "daisy chain" or link up to 3 Razorback MaxxGuard 550UV's to the same outlet. There is a maximum amperage of 12 when the units are turned off, a maximum of 9 amps when the units are turned on. Other equipment can be plugged into the same outlet as the Razorback MaxxGuard 550UV as long as it doesn't go above the max amperage.

#### Circuit Breaker Switch

The Circuit Breaker Switch protects the unit if there are more than 12 amps of electricity passing the circuit. If this occurs, the switch will cut off the power to the unit.

#### Timer

Used to time the running time of the device. Start timing when the device is running, and pause timing when the device is stopped.



## **CHANGING THE FILTERS**

1. Loosen the 4 locks that hold the filter board in place.
2. Slide out the filter panel board.
3. Remove the used filters and replace with new filters.

### **WARNING**

Always wear approved protective gear when changing the filters.

- Filters should be changed after each remediation job.
- If the indicator light is on, always change the HE PA/Activated Carbon Filter.

## **APPLICATIONS**

### **Water Damage**

In this application, the Razorback MaxxGuard 550UV should be placed in the center of the affected area. The air scrubber will draw in the air, filter it, then blow out the newly cleaned air. To begin the process simply turn on the scrubber and it will start cleaning the air. Keep in mind that if you are working in a large area or one divided by walls, you may need several air scrubbers to effectively clean the air.

### **Odor Control**

The Razorback MaxxGuard 550UV, when used with the HEPA/Activated Carbon Filter, is excellent at odor control, as well. Simply place the carbon filter in the pre-filter slot and it will capture a wide variety of odor-causing gas molecules, such as volatile organic compounds (VOC's), smoke, soot, and paint fumes.

### **Other Uses**

The Razorback MaxxGuard 550UV is also useful in many other applications including mold remediation, fire damage, dust control, and sewage remediation.

### **WARNING!**

#### **Breathing Hazard**

- When using the Razorback MaxxGuard 550UV in a containment area, always turn off power to open combustion appliances, such as fireplaces, furnaces, water heaters, and HVAC systems, to avoid the risk of back-drafting carbon monoxide fumes.
- If the Filter Change Light illuminates during the remediation process, immediately change the HEPA/Activated Carbon Filter.

#### **Tipping Hazard**

- Use caution when stacking units.
- Do not stack more than 2 units on top of each other.
- Falling equipment could cause bodily harm.

## **SAFETY NOTES**

- Always unplug the unit prior to performing any maintenance.
- Check the power cord for damage (fraying, cuts, etc.) before use.
- To avoid electric shock, never use a water hose or pressure washer to clean the electrical components.
- Check the pre-filter prior to operating the machine to ensure it is not clogged. If there is any sign of airflow restriction change the filter.
- Make sure the unit is dry prior to installing clean filters.
- When using the Razorback MaxxGuard 550UV for remediation purposes, replace both filters at the same time and always clean machine in between jobs. This will help prevent cross contamination.

# LIMITED WARRANTY

**10 YEARS (FROM DATE OF PURCHASE):** Razorback Cleaning & Restoration Equipment warrants the air scrubber be free of defects in the polyethylene body. At its discretion, Razorback Cleaning & Restoration Equipment will repair or replace the unit body, free of charge, (excluding transportation costs).

**1 YEAR (FROM DATE OF PURCHASE):** Razorback Cleaning & Restoration Equipment warrants the unit's parts will operate free of defects in material or workmanship. This includes factory laborers. At its discretion, Razorback Cleaning & Restoration Equipment will replace defective parts, including factory labor. This does not include transportation costs.

The limited warranty is applicable to the original purchaser only, since the date of purchase.

It should subject to the terms and conditions listed in this limited warranty file.

## **Customers Responsibility:**

- 1) . Customer must provide normal care and maintenance.
- 2) . Removal and re-installation of the unit is the sole responsibility of the owner.
- 3) . If the customer cannot return the unit to the certified repair center, all costs associated with freight shipment are borne by the customer. In addition, all duties related to freight shipments, including but not limited to palletizing, wrapping, labeling, and pickup is associated with the customer.
- 4) . If shipped, the customer is responsible for all risk of loss or damage.

## **Razorback Cleaning & Restoration Equipment Warranty Steps:**

1. Once goods are received , customers must log in [www.ccwonline.com.au](http://www.ccwonline.com.au) to fill out the warranty registration form and submit to Razorback Cleaning & Restoration Equipment company. We will receive your purchasing and installation information and save it. If no warranty registration is sent to us, warranty period will begin the day the shipment left the warehouse. Please be sure to record serial # and date of installation. You will need this information to receive the RA number.
2. If warranty service is necessary, customers must contact Razorback Cleaning & Restoration Equipment Tech Support by [sales@ccwarehouse.com.au](mailto:sales@ccwarehouse.com.au) or local technical service phone to receive a Return Authorization (RA number). Once an RA has been issued, customers should bring the unit to a certified repair center. Razorback Cleaning & Restoration Equipment will arrange the shipping to bring the unit back to the Razorback Cleaning & Restoration Equipment warehouse (at the expense of the customers) if customers are not available.
3. After the unit has been received by Razorback Cleaning & Restoration Equipment (whether at a repair center or the warehouse), Razorback Cleaning & Restoration Equipment will have an initial inspection. If it is determined to be invalid warranty claim (see exclusions below), customers have to pay for all associated repair costs and shipping costs for units repair.
4. Customers can pick up the unit after repair at their own expense for shipping. Units will have a rigorous testing before sending it back to customers
5. If the unit can no longer be fixed , and it is in the warranty period and determined to be valid claim, we will ship the customer a new unit within the same year warranty from the date of replacement.
6. After parts are repaired or replaced by Razorback Cleaning & Restoration Equipment, the original warranty period continues to apply until it meets its deadline. No extensions to the original warranty period.

## **Warranty Exclusions:**

DAMAGE DUE TO THE FOLLOWING IS NOT covered under warranty

1. Acts of Nature- including but not limited to:

Flooding

Fire

Water damage

Hurricane/storm damage

2. IMPROPER USAGE- Including but not limited to:

Misuse, abuse, or tampering whether intentional or accidental

Improper installation or design

Improper voltage

Lack of normal care

Failure to follow instructions

3. Corrosion
4. Freezing
5. Any additional costs due to changes in laws or building codes
6. Freight charges
7. Any costs due to lost profit or delay
8. Damage to property
9. Cause beyond control
10. Consumable parts, including but not limited to:
  - Filters
  - Batteries
  - Power cords
  - Valves
  - Switches
  - Rubber parts
11. Direct, indirect, collateral or inconsequential damages of any kind

THE WARRANTIES AND LIABILITIES SET FORTH ARE IN LIEU OF ALL OTHER WARRANTIES EXPRESSED OR IMPLIED, IN LAW OR IN FACT, INCLUDING IMPLIED WARRANTIES OF MERCHANTABILITY AND FITNESS FOR PARTICULAR PURPOSE.

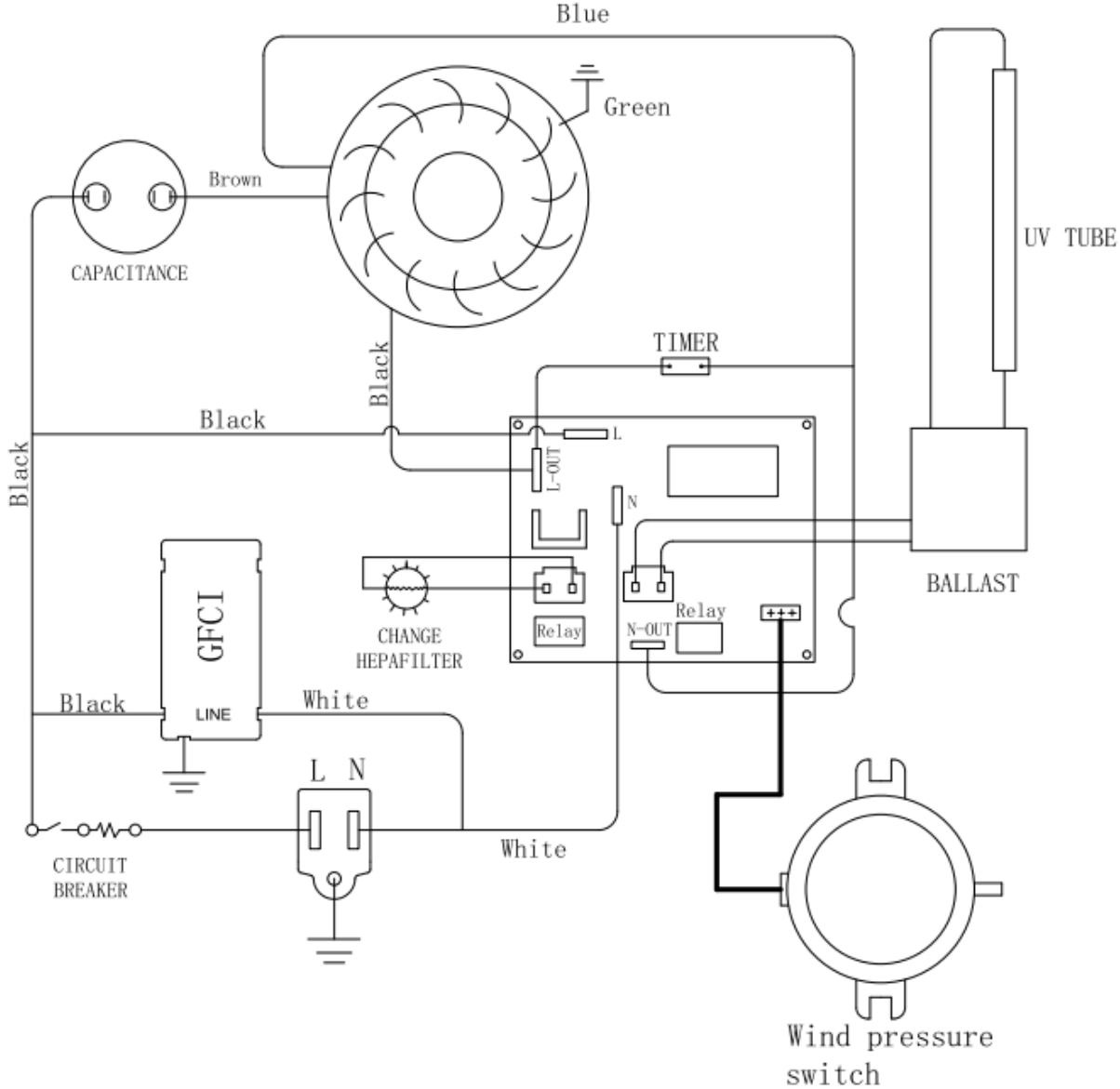
Razorback Cleaning & Restoration Equipment's total liability, regardless of nature of claim shall not exceed original purchase price of the product. If a product or component is replaced while under warranty, the applicable warranty period shall not be extended beyond the original warranty time period.

The foregoing shall constitute the total liability of seller in the case of defective performance of all or any of the equipment or services provided to Buyer. Buyer agrees to accept and hereby accepts the foregoing as the sole and exclusive remedy for any breach or alleged breach of warranty by Seller.

Any dishonesty or fraud in connection with Razorback Cleaning & Restoration Equipment warranty thoroughly voids all warranty policies. Razorback Cleaning & Restoration Equipment expressly reserves the right to pursue legal action in the event of dishonesty, fraud, or attempted fraud.

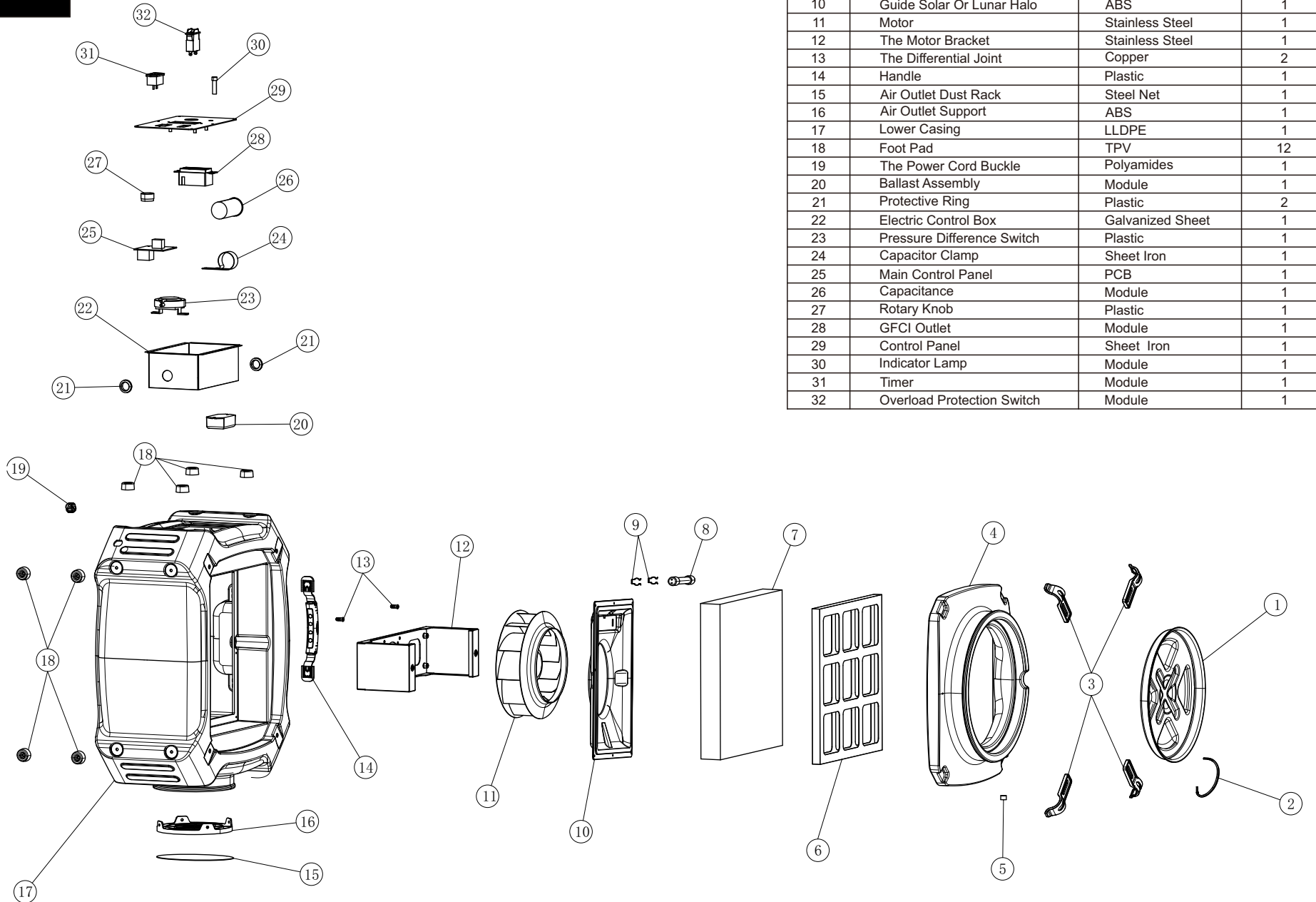


# Wiring Diagram





**SPARE PARTS LIST**  
**MaxxGuard 550UV**



NO.	NAME MODEL	MATERIAL	QUANTITY
1	Dust Cap	Plastic	1
2	Bridle Line	Polyamides	1
3	Power Cord Fastener	Polyamides	4
4	Cover Upper	LLDPE	1
5	R Type Clamp	Plastic	1
6	G3 Filter	Module	1
7	Compound Filter Screen	Module	1
8	Uv Lamp	Module	1
9	Lamp Card Buckle	Stainless Steel	2
10	Guide Solar Or Lunar Halo	ABS	1
11	Motor	Stainless Steel	1
12	The Motor Bracket	Stainless Steel	1
13	The Differential Joint	Copper	2
14	Handle	Plastic	1
15	Air Outlet Dust Rack	Steel Net	1
16	Air Outlet Support	ABS	1
17	Lower Casing	LLDPE	1
18	Foot Pad	TPV	12
19	The Power Cord Buckle	Polyamides	1
20	Ballast Assembly	Module	1
21	Protective Ring	Plastic	2
22	Electric Control Box	Galvanized Sheet	1
23	Pressure Difference Switch	Plastic	1
24	Capacitor Clamp	Sheet Iron	1
25	Main Control Panel	PCB	1
26	Capacitance	Module	1
27	Rotary Knob	Plastic	1
28	GFCI Outlet	Module	1
29	Control Panel	Sheet Iron	1
30	Indicator Lamp	Module	1
31	Timer	Module	1
32	Overload Protection Switch	Module	1



## **Razorback MaxxGuard 550UV Air Scrubber**

**Model#: MaxxGuard 550UV**

**Power Supply: 230VAC, 50Hz, 190 W**

**Fan Draws: High: 0.88 Amps, Low: 0.68 Amps**

**Serial Number: R0001 Made in China**

**Manufactured Date: 2021-08-02**

